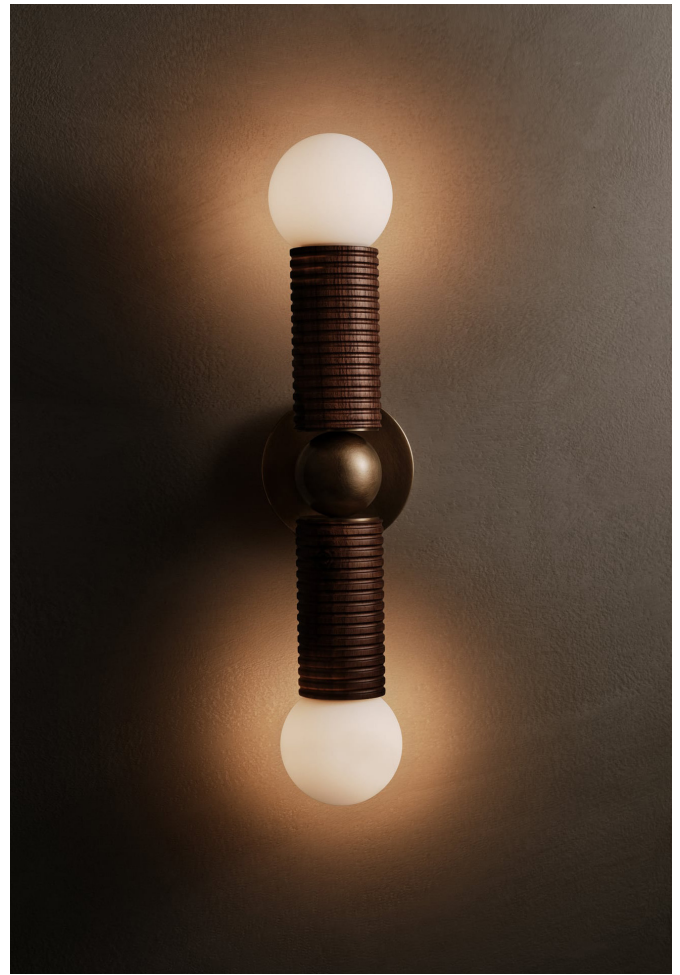
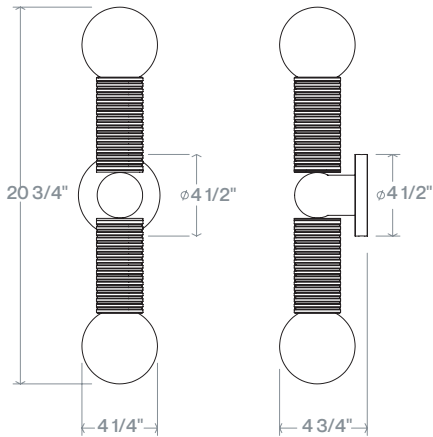


AXIS

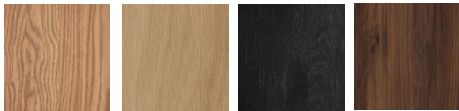
WALL SCONCE

A linear sconce built from two carved cylinders held by a central brass sphere, each end finished with an opal glass diffuser. The sphere is the fixed point. Everything extends from it. Available in solid wood or stone.



WALNUT / AGED BRASS

FINISHES



ASH OAK EBONIZED WALNUT

STOCK LEAD TIME 1-2 WEEKS

CORD LENGTH N/A

CERTIFICATIONS ETL - IP20 / DAMP RATED

LAMPING (X2) G9

BULB INCLUDED 120V - EA - G9 - 2.5W

DIMMING UNIVERSAL

MAX WATTAGE 25W

MOUNTING UNIVERSAL

WEIGHT ~8LBS

CUSTOMIZATIONS AVAILABLE UPON REQUEST - SALES@STUDIO-BALDO.COM